

**THIS IS THE GOLD, SILVER and WATER HEATER SERVICE PLAN BROCHURE**

Your burner and controls will be thoroughly inspected and serviced in accordance with these procedures, used by the Company to insure maximum, worry free heating efficiency. Customers are requested to call well in advance to avoid delays in scheduling tune-ups.

- ▲ Adjust draft regulator
- ▲ Check & flush low water cutoff (LWCO)\*
- \*Homeowners with steam heat are required to flush LWCO weekly in season.
- ▲ Check ignition system
- ▲ Clean or replace burner nozzle
- ▲ Lubricate burner motor
- ▲ Clean & adjust electrodes, fan & pump
- ▲ Check smoke pipe and combustion chamber
- ▲ Change oil filter
- ▲ Adjust & test controls
- ▲ Replace or clean air filter (1 standard set)
- ▲ Efficiency test

**ADDITIONAL COVERAGE PROVIDED UNDER SILVER PLAN:**

**FUEL OIL STORAGE TANK COVERAGE:** An allowance of \$200 will be made towards our replacement of a leaking inside oil storage tank.

**ADDITIONAL COVERAGE PROVIDED UNDER GOLD PLAN:**

**FUEL OIL STORAGE TANK COVERAGE:** An allowance of \$500 will be made towards our replacement of a leaking inside oil storage tank.

**BOILER COVERAGE:** An allowance of \$750 will be made towards our replacement of a leaking boiler.

**WARM AIR FURNACE COVERAGE:** An allowance of \$500 will be made towards our replacement of a heat exchanger or furnace, if necessary, which has developed a leaking heat exchanger.

**OPTIONAL WATER HEATER COVERAGE:** Your oil fired water heater or indirect storage tank will be thoroughly cleaned and inspected in accordance with procedures used by the Company to insure maximum, worry free efficiency. Under the optional coverage there will be no charge for the repair or our replacement of the following parts of your water heater when they become defective due to normal wear and use.

Aquastat	Delayed oil valves	Nozzle assembly
Blast tube	Electrode assembly	Oil burner fan
Burner coupling	Electrodes	Oil burner motor
Burner end cone	Emergency switch	Oil burner nozzle
Cad cell	Firomatic thermal switch	Oil burner pump
Cad cell holder	Fuel oil cartridge	Oil burner strainer
Cad cell relay	Ignition transformer	Stack relay
Circulator Pump	Ignition cables	Temp/pressure relief valves
(Complete) 1 per year	Nozzle adapter	

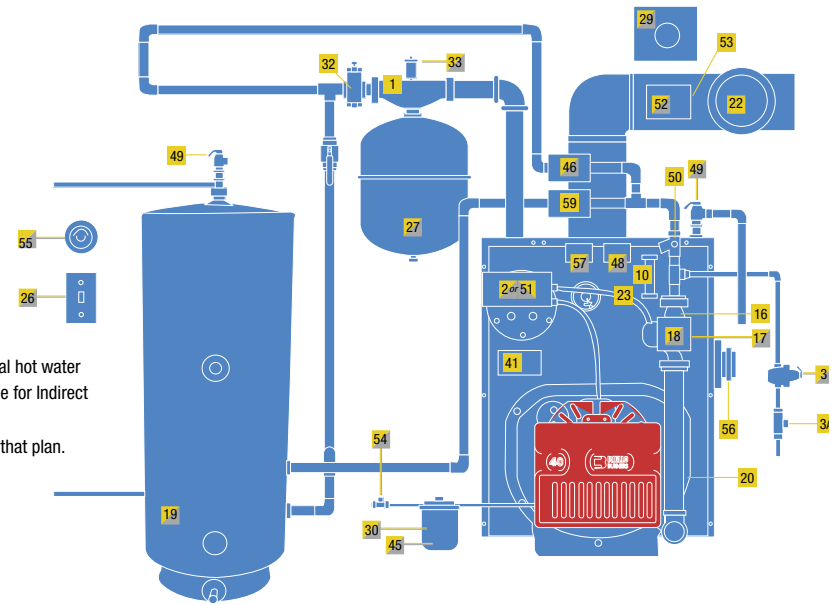
**PLEASE PHONE OUR CUSTOMER SERVICE DEPT. FOR THE PRICES OF THE RESPECTIVE PLANS SHOWN.**

**PARTS & LABOR COVERAGE (for repair or replacement)**

- |  |  |
|--|--|
| ■ COVERED BY SILVER & GOLD POLICIES                                      | ■ COVERED BY GOLD ONLY   |
| 1 Air scoop  | 33 High vent(s) (1 per year)   |
| 2 Aquastat   | 34 Ignition transformer  |
| 3 Automatic feeder (non-steam)   | 35 Ignition cables   |
| 3A Back Flow Preventer   | 36 Humidifier pad  |
| 4 Blast tube   | 37 Nozzle adapter  |
| 5 Blower bearings  | 38 Nozzle assembly   |
| 6 Blower complete  | 39 Oil burner fan  |
| 7 Blower fan belt  | 40 Oil burner motor  |
| 8 Blower motor (up to 1/3 hp)  | 41 Mixing valve element  |
| 9 Blower pulleys   | 42 Oil burner nozzle   |
| 10 Boiler gauge glass  | 43 Oil burner pump   |
| 11 Burner coupling   | 44 Oil burner strainer   |
| 12 Burner end cone   | 45 Oil filter complete   |
| 13 Cad cell  | 46 Power head (1 per year)<br>(Optional Hot Water Coverage)                    |
| 14 Cad cell holder   | 47 Pressure reducing valve<br>(not shown)                                      |
| 15 Cad cell relay  | 48 Pressure control  |
| 16 Circulator (complete 3 max.)  | 49 Boiler Relief Valve (standard)  |
| 17 Circulator coupling   | 50 Purging valve   |
| 18 Circulator motor (1 per year)   | 51 Reverse acting aquastat   |
| 19 Boiler Circulator pump complete<br>(1 per year)                       | 52 Stack relay   |
| 20 Combustion chamber<br>(up to 2 gal/hr)                                | 53 Smoke pipe  |
| 21 Delayed oil valves  | 54 Thermal safety valve  |
| 22 Draft regulator   | 55 Thermostat<br>(heating only, except<br>non-setback or programmable)         |
| 23 Electrical wiring; boiler switch only                                 | 56 Low Voltage transformer   |
| 24 Electrode assembly  | 57 Vapor stat  |
| 25 Electrodes  | 58 Vent alarm (not shown) up to<br>330-gallon above ground tank                |
| 26 Emergency switch  | 59 Zone valve (complete, 3 max.)   |
| 27 Extrol #30  | System 2000 coverage for:<br>System 2000 Manager<br>System 2000 Digital Sensor |
| 28 Fan limit control   |  |
| 29 Firomatic switch  |  |
| 30 Fuel oil cartridge  |  |
| 31 Fuel oil tank gauge (not shown)<br>up to 330-gallon above ground tank |  |
| 32 Flow check valve  |  |

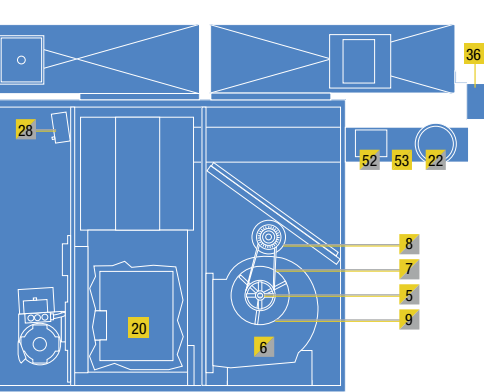
**THESE ADDITIONAL PARTS ARE COVERED BY BOTH THE SILVER AND GOLD PLANS:**

- |                                   |                               |
|-----------------------------------|-------------------------------|
| Blower Squirrel Cage              | Fuel Oil Gasket               |
| Nozzle Line,                      | Porcelain Ignition Insulators |
| Oil Burner Bulkhead Fitting & Nut | Burner Flange Gasket          |
| Ignition Transformer Terminals    | Universal Burner Flange       |
| Oil Burner Pump Gasket            | Draft Safety Switch           |
| Oil Burner Static Plate           |                               |

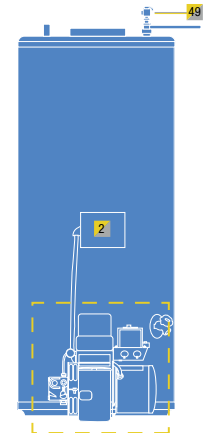


Standard Residential Indirect Hot Water Heater

Standard Residential Heating Boiler

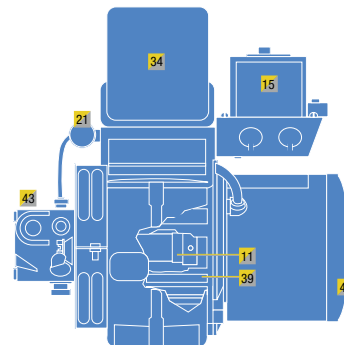


Standard Residential Warm Air Furnace



Standard Residential Oil-Fired Hot Water Heater

Our optional oil-fired hot water heater plan includes coverage of all oil burner parts illustrated in the drawing entitled "Standard Residential Oil Burner," in addition to the parts shown here.



Standard Residential Oil Burner

